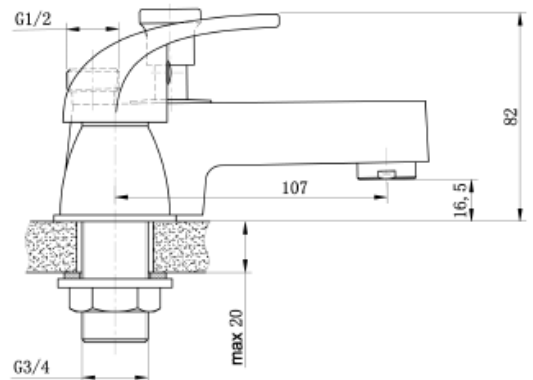


# PRODUCT SPECIFICATION

**MasterFlow**

**Product:** Bath Filler Chrome  
**Series:** Base Contemporary  
**Item No:** BAC500C



## Description:

- Brass body
- Zinc handle
- ¼ turn ceramic disc valves
- G3/4 " brass tails
- Flow straightener
- Finish: chrome
- Operating Pressure Range 0.2 to 10 bar
- Max inlet temperature 65deg.C

