

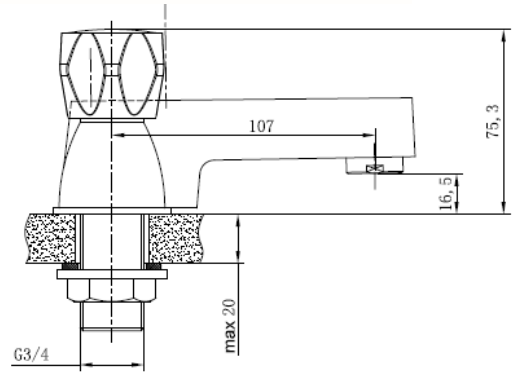
PRODUCT SPECIFICATION

MasterFlow

Product: Bath Filler Chrome

Series: Base

Item No: BA500C



Description:

- Brass body
- Zinc handle
- Mechanical screwdown valves
- G3/4 " brass tails
- Flow straightener
- Finish: chrome
- Operating Pressure Range 0.2 to 10 bar
- Max inlet temperature 65deg.C

