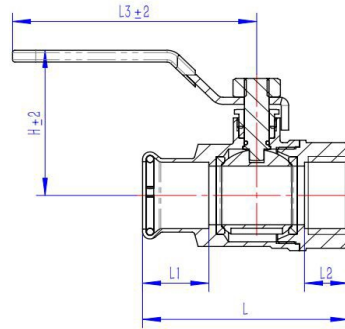


MasterFlow

Press Ball Valve Cu x Fi



MasterFlow Code	WRAS Code	D	Threaded	L	L1	L2	L3
M69150400	GP60015012PF	15.00	1/2"	65.00	22.00	16	49
M69220600	GP60022034PF	22.00	3/4"	71.80	21.00	18	53
M69280800	GP60028001PF	28.00	1"	84.00	27.00	18	62
M69351000	GP60035114PF	35.00	1-1/4"	95.50	26.00	21	78
M69421200	GP60042112PF	42.00	1-1/2"	116.00	34.00	25	82
M69541600	GP60054200PF	54.00	2"	131.50	35.00	26	95

Product description:

Range of lever operated spherical valves incorporating brass bodies, brass or stainless-steel balls, PTFE seats and EPDM 'O' rings. Pressfit connections are for use with copper pipe.

Maximum working pressure 16.0 bar. Maximum operating temperature 85.0°C