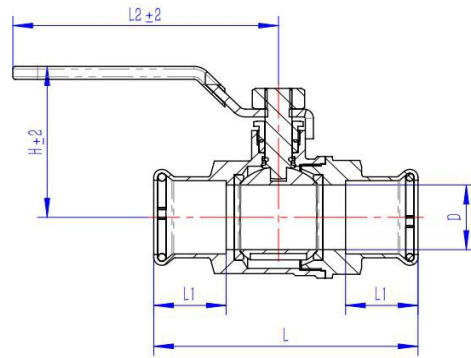


MasterFlow

Press Ball Valve Cu x CU



MF Code	WRAS Code	D	L	L1	L2	H
MCP69150000	GP60015PP	15.00	71.50	22.00	86	49.00
MCP69220000	GP60022PP	22.00	81.80	21.00	86	53.00
MCP69290000	GP60028PP	28.00	99.00	27.00	100	62.00
MCP69350000	GP60035PP	35.00	108.50	26.00	131	77.50
MCP69420000	GP60042PP	42.00	130.50	34.00	131	82.00
MCP69540000	GP60054PP	54.00	148.50	35.00	166	94.50

Product description:

Range of lever operated spherical valves incorporating brass bodies, brass or stainless-steel balls, PTFE seats and EPDM 'O' rings. Pressfit connections are for use with copper pipe.

Maximum working pressure 16.0 bar. Maximum operating temperature 85.0°C