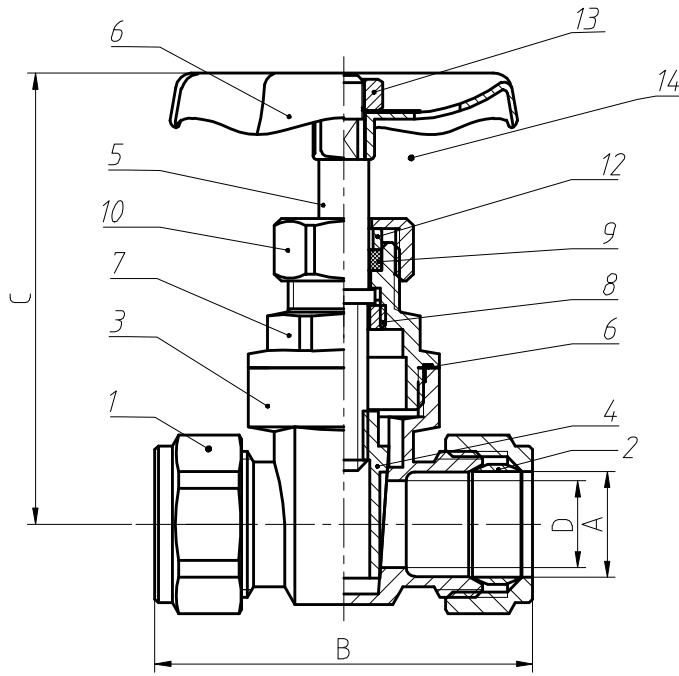


出厂内机密请勿携出



CODE	A	B	C	D
M33150000LP	15	55	64.5	12.5
M33220000LP	22	66.5	67	15
M33280000LP	28	72	76	19

Specification  
 Fields of applications: water;  
 Maximum working pressure: PN16;  
 Maximum working temperature: 90°C ;  
 Compression connections comply with EN1254-2;  
 WRAS approved

M33150000LP	CO GATE VALVE 15mm
M33220000LP	CO GATE VALVE 22mm
M33280000LP	CO GATE VALVE 28mm

14		Nameplate	AL	1
13		Nut	Q235	1
12		Handle	20#	1
11	√	Lock ring	HPb59-T(企)	1
10		Lock nut	HPb59-T(企)	1
9		Packing	PTFE	1
8		Lock ring	HPb59-T(企)	1
7		Bonnet	HPb59-T(企)	1
6		Sealing washer	PTFE	1
5		Stem	HPb59-T(企)	1
4		Gate	HPb59-T(企)	1
3		Body	HPb59-T(企)	1
2		Olive	T2	2
1		Comperssion nut	HPb59-T(企)	2

ITEM	NO.	parts name	material	QTY.
------	-----	------------	----------	------

未注尺寸公差

基本尺寸	<6	±0.1
	≥6~30	±0.2
	≥30~120	±0.3
	≥120~400	±0.5

品名:	MF Gate Valve CxC		
材料:	HPb59-T(企)		
重量:			
编号:			
客户编号:			
设计	Alger	比例	1:1
校对		公差等级	IT14
审核		幅面	A4
批准		总1页	第1页
归档			

艾迪西流体控制股份万达阀门有限公司  
 IDC Fluid Control Co LTD

