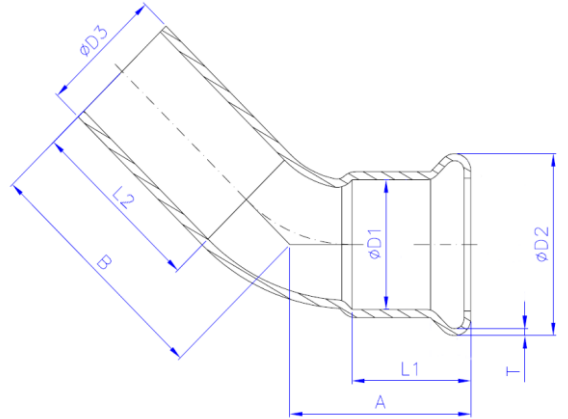


MasterFlow

THE NAME YOU CAN TRUST

MCP95 Press 45 Bend FM



Size	D1	D2	D3	L1	L2	A	B	T	
								Min.	Max.
MCP95150000	15.00	22.80	15.00	20.00	26.00	27.50	34.00	1.31	1.46
MCP95220000	22.00	31.00	22.00	21.00	31.50	32.00	42.00	1.20	1.35
MCP95280000	28.00	36.60	28.00	23.00	34.50	37.00	45.40	1.32	1.47
MCP95350000	35.00	43.70	35.00	26.00	40.00	43.50	58.00	1.25	1.40
MCP95420000	42.00	52.90	42.00	30.00	52.50	51.00	73.00	1.25	1.40
MCP95540000	54.00	64.90	54.00	35.00	58.00	62.00	85.00	1.25	1.40
MCP95670000	67.00	82.60	67.00	50.00	60.00	85.00	90.00	1.70	1.90
MCP95760000	76.00	94.00	76.00	50.00	60.00	91.00	97.00	1.90	2.10