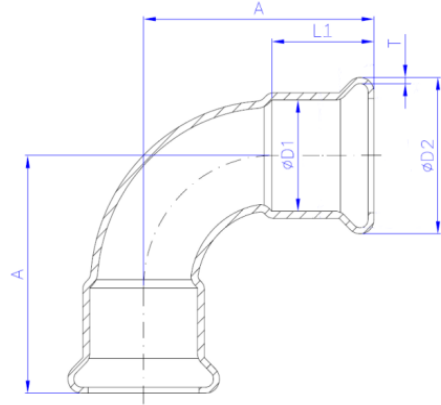


# MasterFlow

THE NAME YOU CAN TRUST

**MCP16 90 Bend FF**



Code	D1	D2	L1	A	T	
					Min.	Max.
MCP16150000	15.00	22.80	20.00	38.00	1.31	1.46
MCP16220000	22.00	31.00	21.00	47.40	1.20	1.35
MCP16280000	28.00	36.60	23.00	56.60	1.32	1.47
MCP16350000	35.00	43.70	26.00	68.00	1.25	1.40
MCP16420000	42.00	52.90	30.00	80.40	1.25	1.40
MCP16540000	54.00	64.90	35.00	100.00	1.25	1.40
MCP16670000	67.00	82.60	50.00	132.00	1.70	1.90
MCP16760000	76.00	94.00	50.00	142.00	1.90	2.10