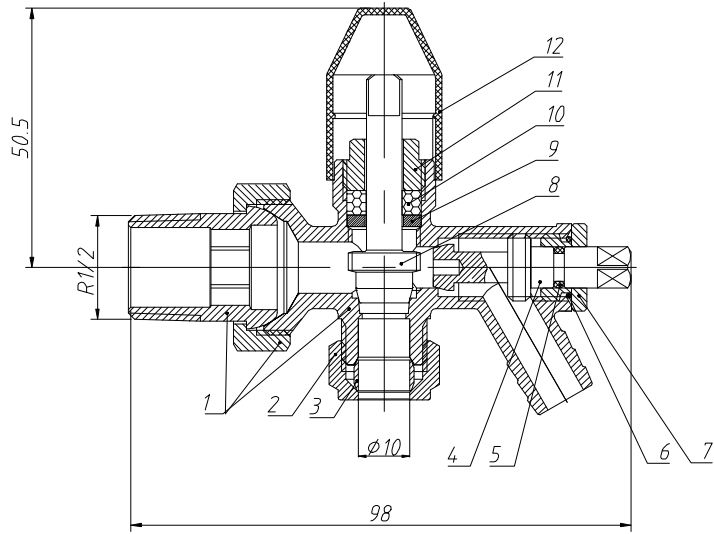
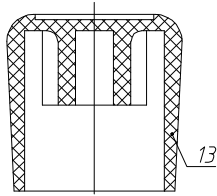


出厂内机密请勿携出



Specification  
 Fields of applications: hot water or steam;  
 Maximum working pressure: PN10;  
 Operating temperature range: 0 ~ +95°C;  
 Valves are manufactured to BS2767;  
 Compression connections comply with EN1254-2;  
 Female thread connections are to ISO228/ISO7-1;

发放号		13		Handle	ABS	1	
生产	√	12		Plastic cap	ABS	1	
打样		11		Lock nut	HPb59-T	1	
试制		10		Packing	Graphite	1	
		9		Gasket	HPb59-T	1	
精修		8		Stem	HPb59-T	1	
		7		Lock nut	HPb59-T	1	
版次	A	6		O-ring	EPDM	1	
		5		O-ring	EPDM	1	
公差	≥120~400	±0.5		4	Stem	HPb59-T	1
	≥30~120	±0.3		3	Olive	T2	1
未注尺寸	≥6~30	±0.2		2	Compression nut	HPb59-T	1
	<6	±0.1		1	Body	HPb59-T	1
基本尺寸	公差	ITEM	NO.	parts name	material	QTY.	
				品名:	ANGLED L/S WITH D.OFF 10MM		
				设计	Alger	比例 1:1	
				审核		公差等级 IT14	
				批准		幅面 A4	
				归档		总1页 第1页	
				材料:	HPb59-T	重量:	
				编号:			
				客户编号:	MWLV10AD		