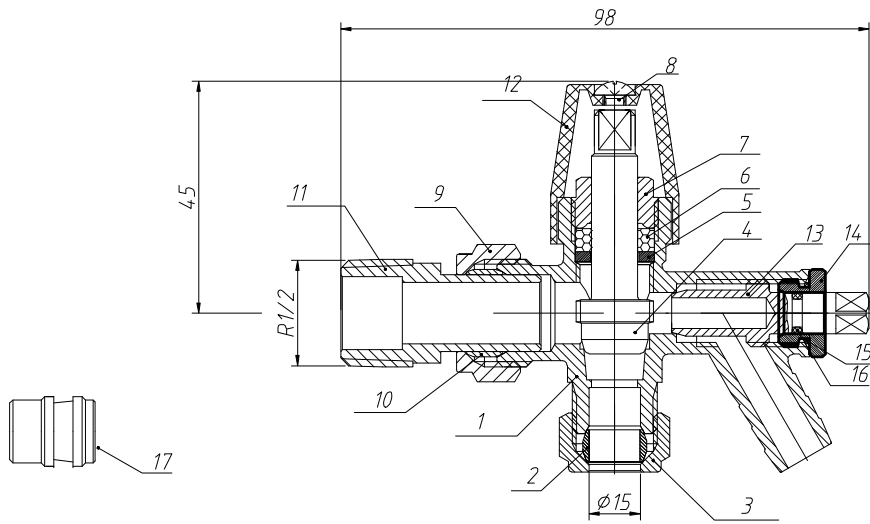


出厂前请密封机内



Specification

Fields of applications: hot water or steam;
 Maximum working pressure: PN10;
 Operating temperature range: 0 ~ +95°C;
 Valves are manufactured to BS2767;
 Compression connections comply with EN1254-2;
 Female thread connections are to ISO228/ISO7-1;

17		Reducing Set	CW617N	1	
16		O-ring	EPDM	1	
15		O-ring	EPDM	1	
14		Lock nut	HPb59-T	1	
13		Stem	HPb59-T	1	
12	√	Plastic cap	ABS	1	
11		Connecting pipe	HPb59-T	1	
10		Olive	T2	1	
9		Comperssion nut	HPb59-T	1	
8		Screw	Q235	1	
7	0	Lock nut	HPb59-T	1	
6	A	Packing	Graphite	1	
5		Gasket	HPb59-T	1	
4		Stem	HPb59-T	1	
3		Olive	T2	1	
2		Comperssion nut	HPb59-T	1	
1		Body	HPb59-T	1	
ITEM	NO.	parts name	material	QTY.	

未注尺寸公差

基本尺寸	公差
<6	±0.1
≥6~30	±0.2
≥30~120	±0.3
≥120~400	±0.5

标记处数	更改内容	签名	更改日期
设计	Alger	比例	1:1
审核		公差等级	IT14
批准		幅面	A4
归档		总1页	第1页

品名:
 ANGLED L/S WITH DO BS 15MM

艾迪西流体控制股份有限公司
 IDC Fluid Control Co LTD

重要尺寸
 关键尺寸
 重量:

材料: HPb59-T

编号:
 客户编号: MWLNT15D