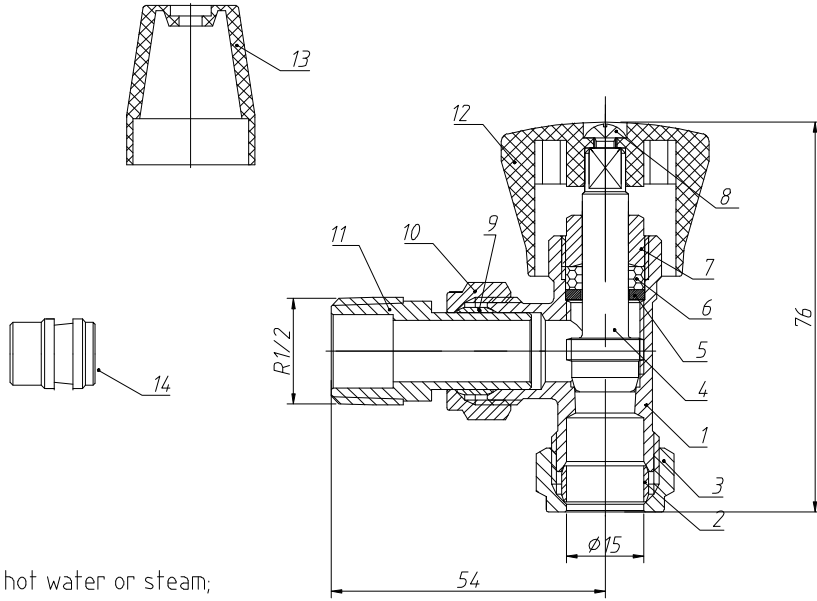


出厂前请密封勿携出



Specification
 Fields of applications: hot water or steam;
 Maximum working pressure: PN10;
 Operating temperature range: 0 ~ +95°C;
 Valves are manufactured to BS2767;
 Compression connections comply with EN1254-2;
 Female thread connections are to ISO228/ISO7-1;

版次	A	7	Lock nut	HPb59-T	1
		6	Packing	Graphite	1
试制		8	Screw	Q235	1
		9	Compression nut	HPb59-T	1
打样		10	Olive	T2	1
		11	Connecting pipe	HPb59-T	1
生产	√	12	Plastic cap	ABS	1
		13	Handle	ABS	1
发放号		14	Reducing Set	CW617N	1
未注尺寸公差	≥120~400	±0.5			
	≥30~120	±0.3			
	≥6~30	±0.2			
	<6	±0.1			
基本尺寸					
ITEM		NO.	parts name	material	QTY.
品名:			ANGLED W/H.L/S VALVE BS 15MM		
设计			Alger	比例	1:1
审核				公差等级	IT14
批准				幅面	A4
归档				总1页	第1页
艾迪西流体控制股份有限公司			IDC Fluid Control Co LTD		
材料:			HPb59-T		
重要尺寸			关键尺寸		
重量:					
编号:					
客户编号:			MWLNT15		