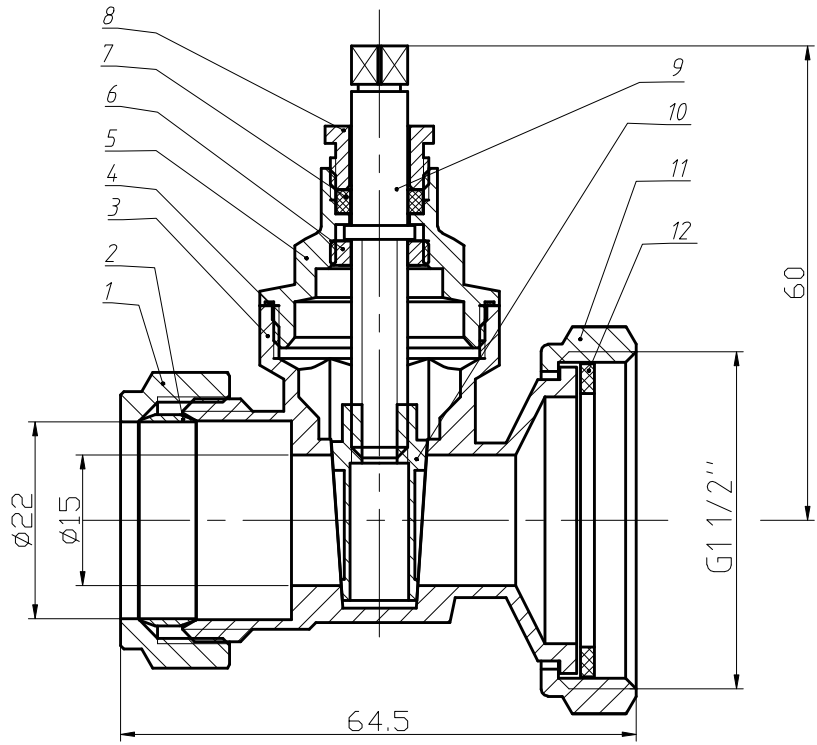


出厂内机密请勿携出



Specification

Fields of applications: water;
 Maximum working pressure: PN16;
 Operating temperature range: -10 ~ +90°C;
 Compression connections comply with EN1254-2;
 Female thread connections are to ISO228;
 WRAS approved

版次	A	0	12	Gasket	Red paper	1
修改			11	Pump Nut	HPb59-T(企)	1
打样			10	Gate	HPb59-T(企)	1
试制			9	Stem	HPb59-T(企)	1
			8	Lock nut	HPb59-T(企)	1
			7	Packing	PTFE	1
			6	Lock ring	HPb59-T(企)	1
			5	Bonnet	HPb59-T(企)	1
			4	Sealing washer	PTFE	1
			3	Body	HPb59-T(企)	1
			2	Olive	T2	1
			1	Comperssion nut	HPb59-T(企)	1

ITEM	NO.	parts name	material	QTY.
品名: MF 22mm Pump Valve - Gate Type				
材料: HPb59-T(企)				重量:
艾迪西流体控制股份万达阀门有限公司				
IDC Fluid Control Co LTD				
编号: MPVG22				
客户编号:				

未注尺寸公差	<6	±0.1
	6~30	±0.2
	30~120	±0.3
	≥120~400	±0.5

设计	Alger			
校对		比例	1:1	
审核		公差等级	IT14	
批准		幅面	A4	
归档		总页数	第1页	