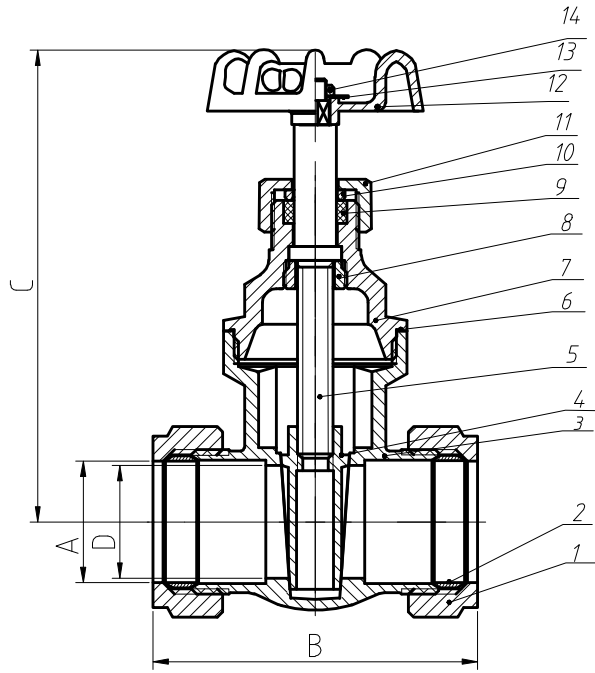


出厂内机密请勿携出



CODE	A	B	C	D
M33350000	35	92	119	32
M33420000	42	101	127	38
M33540000	54	123	157	50

Specification
 Fields of applications: water;
 Maximum working pressure: PN16;
 Maximum working temperature: 90°C ;
 Valves are manufactured to BS5154;
 Compression connections comply with EN1254-2;
 WRAS approved

M33350000	CO GATE VALVE BS 35mm
M33420000	CO GATE VALVE BS 42mm
M33540000	CO GATE VALVE BS 54mm

14		Nut	Q235	1
13		Nameplate	AL	1
12		Handle	Cast iron	1
11	√	Lock nut	HPb59-T(企)	1
10		Lock ring	HPb59-T(企)	1
9		Packing	PTFE	1
8		Lock ring	HPb59-T(企)	1
7		Bonnet	HPb59-T(企)	1
6	0	Sealing washer	PTFE	1
5	A	Stem	HPb59-T(企)	1
4		Gate	HPb59-T(企)	1
3		Body	HPb59-T(企)	1
2		Olive	T2	2
1		Comperssion nut	HPb59-T(企)	2

ITEM	NO.	parts name	material	QTY.
------	-----	------------	----------	------

未注尺寸公差

基本尺寸	<6	±0.1
	≥6~30	±0.2
	≥30~120	±0.3
	≥120~400	±0.5

品名:	MF Gate Valve BS5154		
材料:	HPb59-T(企)		
重量:			
编号:			
客户编号:			
设计	Alger	比例	1:1
校对		公差等级	IT14
审核		幅面	A4
批准		总页数	第1页
归档			

艾迪西流体控制股份万达阀门有限公司
 IDC Fluid Control Co LTD

