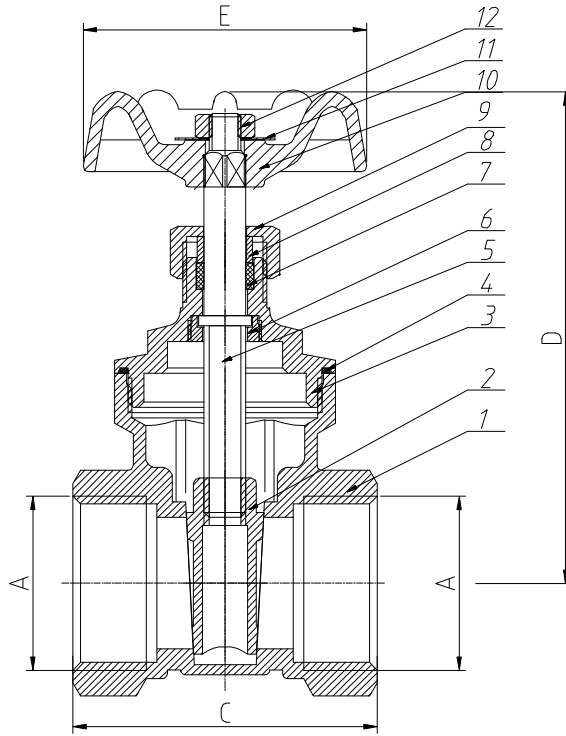


出携勿密机内厂



Specification
 Fields of applications: water;
 Maximum working pressure: PN16;
 Maximum working temperature: 90°C ;
 Compression connections comply with EN1254-2;
 WRAS approved

| CODE | A | C | D | E |
|-----------|--------|----|-----|----|
| M33030000 | G3/8 | 45 | 72 | 55 |
| M33040000 | G1/2 | 47 | 78 | 55 |
| M33060000 | G3/4 | 52 | 82 | 55 |
| M33080000 | G1 | 58 | 90 | 59 |
| M33100000 | G1 1/4 | 74 | 110 | 59 |
| M33120000 | G1 1/2 | 81 | 127 | 71 |
| M33160000 | G2 | 88 | 150 | 77 |

| | |
|-----------|--------------------------|
| M33030000 | GATE VALVE BS FxF 3/8" |
| M33040000 | GATE VALVE BS FxF 1/2" |
| M33060000 | GATE VALVE BS FxF 3/4" |
| M33080000 | GATE VALVE BS FxF 1" |
| M33100000 | GATE VALVE BS FxF 1 1/4" |
| M33120000 | GATE VALVE BS FxF 1 1/2" |
| M33160000 | GATE VALVE BS FxF 2" |

| | | | | |
|------|-----|----------------|------------|------|
| 14 | | | | |
| 13 | | | | |
| 12 | | Nut | 45# | 1 |
| 11 | | Nameplate | AL | 1 |
| 10 | | Handle | Cast iron | 1 |
| 9 | | Lock ring | HPb59-T(企) | 1 |
| 8 | | Lock nut | HPb59-T(企) | 1 |
| 7 | | Packing | PTFE | 1 |
| 6 | | Lock ring | HPb59-T(企) | 1 |
| 5 | | Stem | HPb59-T(企) | 1 |
| 4 | | Sealing washer | PTFE | 1 |
| 3 | | Bonnet | HPb59-T(企) | 1 |
| 2 | | Gate | HPb59-T(企) | 1 |
| 1 | | Body | HPb59-T(企) | 1 |
| ITEM | NO. | parts name | material | QTY. |

未注尺寸公差

| | | |
|------|----------|------|
| 基本尺寸 | <6 | ±0.1 |
| 公差 | ≥6~30 | ±0.2 |
| | ≥30~120 | ±0.3 |
| | ≥120~400 | ±0.5 |

| | | | |
|------|-------|------|------|
| 标记处数 | 更改内容 | 签名 | 更改日期 |
| 设计 | Alger | | |
| 校对 | | 比例 | 1:1 |
| 审核 | | 公差等级 | IT14 |
| 批准 | | 幅面 | A4 |
| 归档 | | 总页数 | 第1页 |

品名:
 MF Gate Valve FxF
 艾迪西流体控制股份万达阀门有限公司
 IDC Fluid Control Co LTD

重要尺寸
 关键尺寸
 材料: HPb59-T(企)
 重量:
 编号:
 客户编号: